

994-902-100

CHELTON

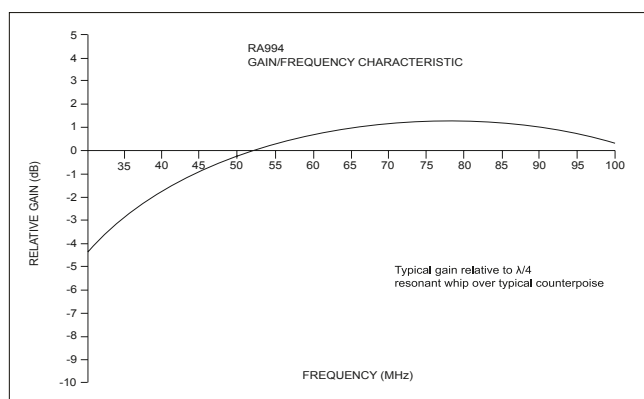
VHF Broadband Vehicle Whip Antenna

The 994-902-100 VHF Broadband Vehicle Whip Antenna is suitable for use with frequency-hopping radios.

This ruggedised, GRP antenna requires no electrical or mechanical tuning. Its performance over the extended VHF band of 30 MHz to 108 MHz is equivalent to that exhibited by a quarterwave-tuned whip over the same frequency band.

The antenna base is designed to support the two-piece whip when the vehicle is stationary. When the vehicle is mobile, the whip is tied down to a suitable point using the supplied tie-down kit.

EQUIPMENT	PART NUMBER
Base Assembly 4 Hole Mounting	994-001-100
Whip Assembly	994-003-100
Gasket	994-032-900
Tie-down Kit	994-047-100
Handbook	994-601-100



994-902-100

CHELTON

VHF Broadband Vehicle Whip Antenna

ELECTRICAL

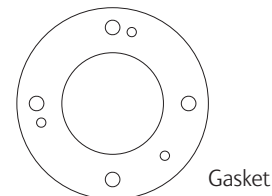
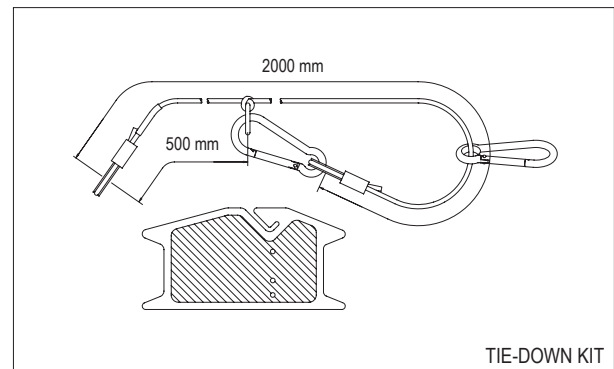
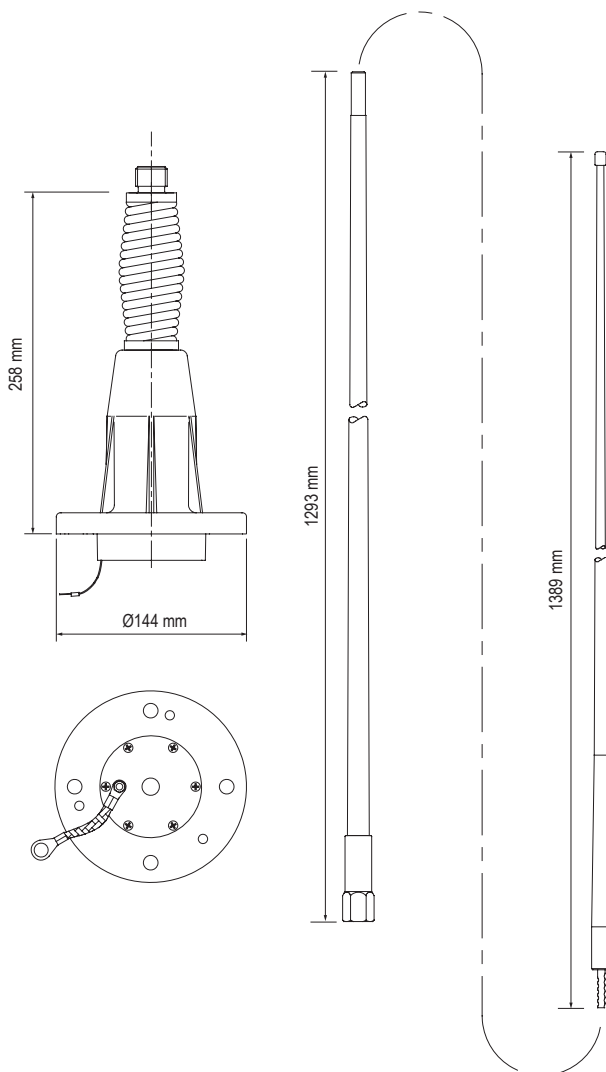
Frequency	30 MHz - 108 MHz	
Gain	See gain/frequency plot	
Polarisation	Vertical when mounted vertically	
Impedance	50 ohm (unbalanced)	
Radiation Pattern	Omnidirectional	
VSWR	≤ 3.5:1	30 MHz - 90 MHz
	≤ 4.0:1	90 MHz - 108 MHz
Connectors	BNC Female	
Overhead Line Protection	20 kV rms over elements at greater than 130 mm above base	

MECHANICAL

Dimensions	Height Overall:	2.9 m
	Base:	270 mm
Whip Length	Lower section:	1293 mm
	Upper section:	1389 mm (including thread)
Weight	3.7 kg	
Mounting Configuration	4-hole fixed position	

ENVIRONMENTAL

Temperature	Storage:	-40°C to +85°C
	Operational:	-40°C to +70°C
Humidity	Up to 95% RH up to 55%	
Wind	Survival:	160 km/h
	Operational:	100 km/h
Impact	Survives 25 impacts at 40 km/h from wooden beam (4 in x 4 in) suspended 1.5 m above antenna base	



Chelton Limited has a policy of continuous development and stress that the information provided is a guide only and does not constitute an offer or contract or part thereof. Whilst every effort is made to ensure the accuracy of the information contained in this Data Sheet, no responsibility can be accepted for any errors or omissions.

The copyright of antenna designs and images is copyright protected and owned by Chelton Limited. ©Chelton Limited.

The Chelton Centre, Fourth Avenue, Marlow, Buckinghamshire, SL7 1TF, UK

T: +44 (0)1628 472072

E: info@chelton.com

W: chelton.com