

# OA2-2.3V-SM/2087

## Omni Spring Mount Antenna

### Provisional Specification

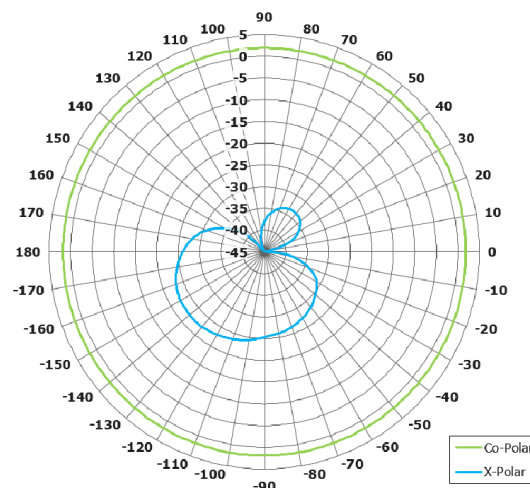
#### Key Features:

Designed for broadcast applications

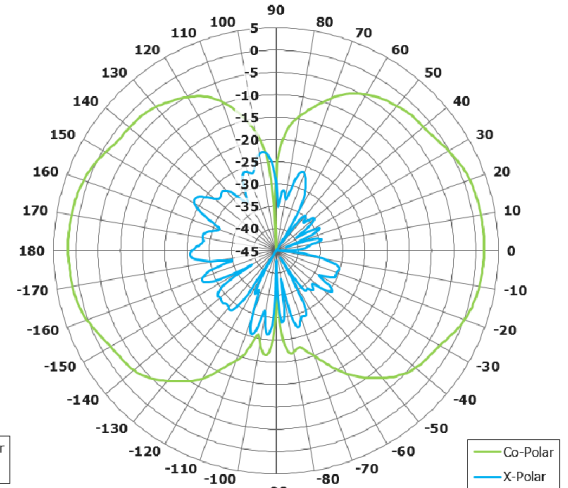
Suitable for mobile applications

Flexible wideband omni antenna

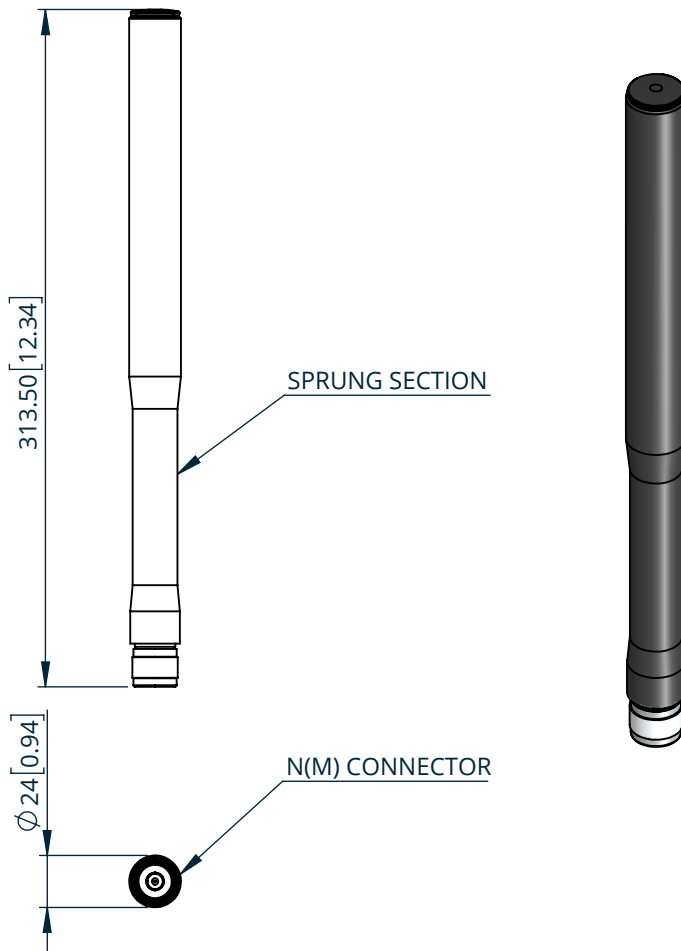
Vertical polarisation



**Azimuth Polar Plot  
(@ 1.95 GHz)**



**Elevation Polar Plot  
(@ 1.95 GHz)**



**SIDE  
VIEW**

**BASE  
VIEW**

#### ELECTRICAL

**Frequency:** 1.95 to 2.75 GHz

**Gain:** 1.5 dBi Typ.

**Polarisation:** Vertical

**Beamwidth:** 360° x 65° Typ.

**Cross Polar:** >20 dB Typ.

**VSWR:** 2:1 Max.

**Power Rating:** 30 W

**Electrical Tilt:** 10° Up Typ.

#### MECHANICAL

**Standard Finish:** Black

**Mass:** 0.27 kg / X.XX lbs

**Temperature:** -40 to +60°C

Full radiation patterns and CAD available on request

DS: 2087-A

Issued: 201222

Dimensions: mm [inches]